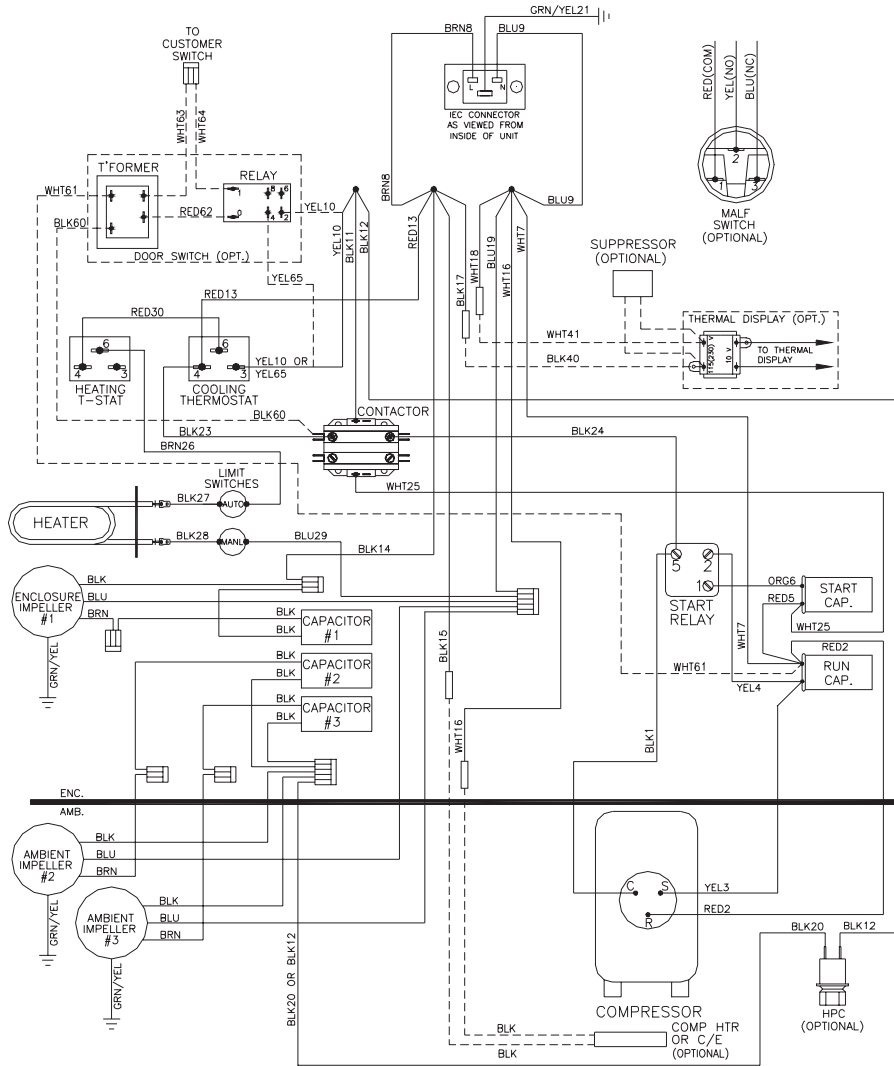
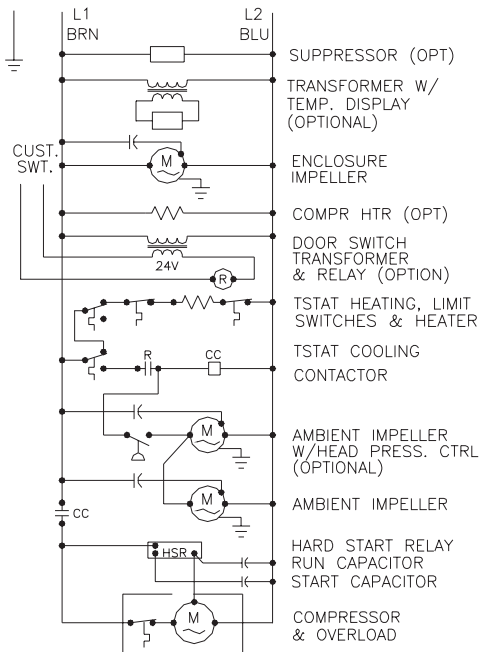


Wire Diagrams and Schematics

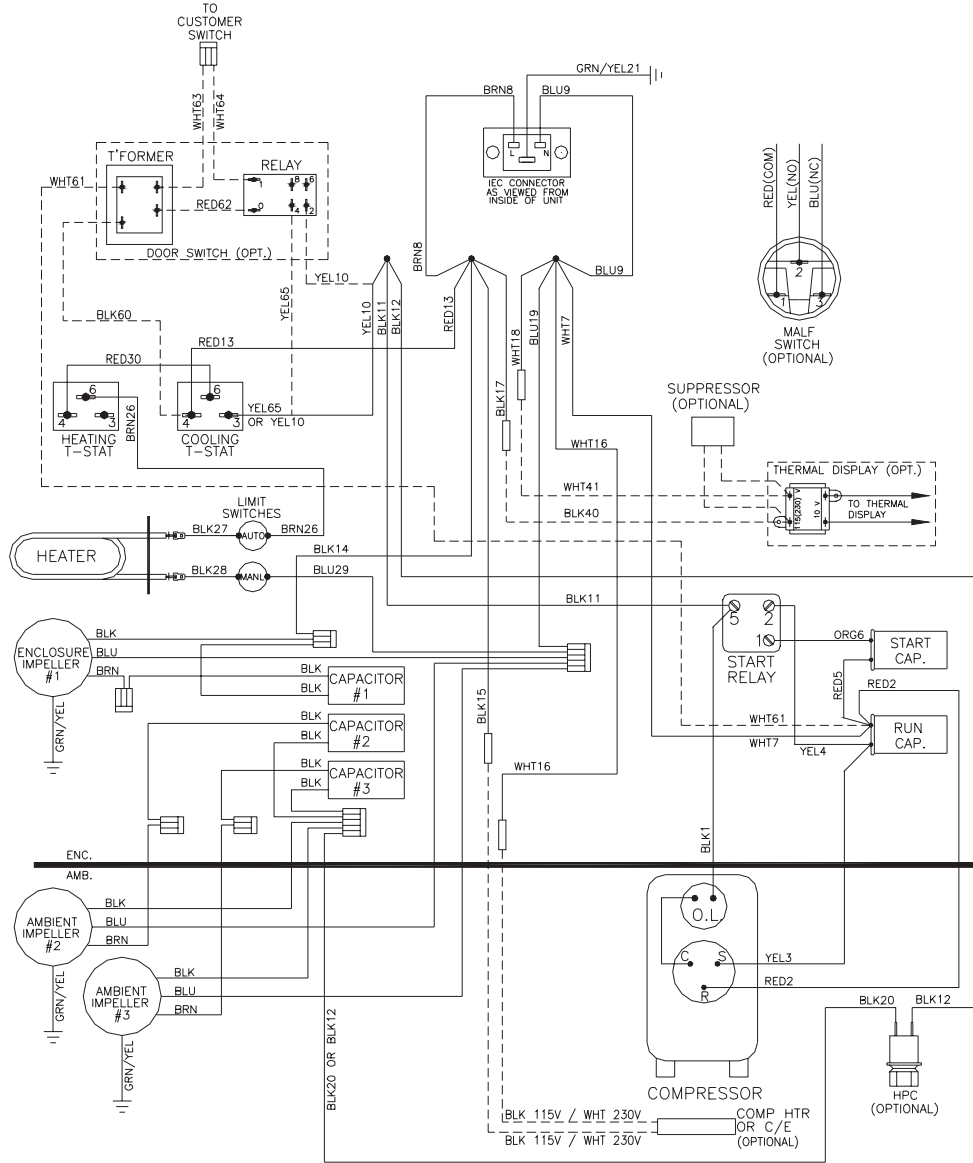
G52-1216-GXXX Generic Wire Diagram (actual unit options may vary)



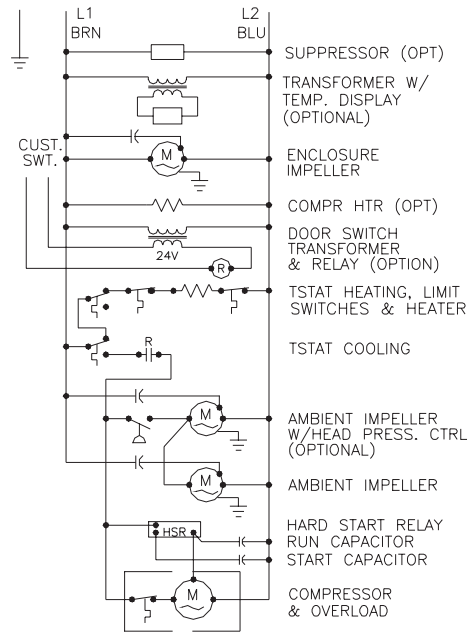
G52-1216-GXXX Generic Schematic (actual unit options may vary)



G52 All Others Generic Wire Diagram (actual unit options may vary)



G52 All Others Generic Schematic (actual unit options may vary)



SERVICE DATA

Components List

Part Description	Part Number			
	G52-0816-GXXX	G52-0826-GXXX	G52-1216-GXXX	G52-1226-GXXX
Capacitor, Compressor, Start	10-1032-08	10-1032-08	10-1032-32	10-1032-08
Capacitor, Compressor, Run	52-6032-01	S-6173	52-6032-06	52-6032-01
Capacitor, Impellers (3)	52-6032-13	52-6032-14	52-6032-13	52-6032-14
Coil, Condenser	52-6010-14	52-6010-14	52-6010-10	52-6010-10
Coil, Evaporator	52-6010-13	52-6010-13	52-6010-11	52-6010-11
Compressor	10-1016-85	10-1026-108	10-1016-88	10-1026-107
Contactora, Compressor	NA	NA	10-1005-41	NA
Filter, Air, Reusable	10-1000-103	10-1000-103	10-1000-103	10-1000-103
Filter/Dryer	52-6028-06	52-6028-06	52-6028-06	52-6028-06
Head Pressure Control Switch (option)	52-6104-26	52-6104-26	52-6104-26	52-6104-26
Impeller, Condenser (2)	10-1091-123	10-1091-124	10-1091-123	10-1091-124
Impeller, Evaporator	10-1091-123	10-1091-124	10-1091-123	10-1091-124
Relay, Compressor Start	10-1042-08	10-1042-07	10-1042-17	10-1042-17
Thermal Expansion Valve	10-1040-42	10-1040-42	10-1040-31	10-1040-31
Thermal Overload, Compressor	10-1007-73	10-1007-74	NA	10-1007-70
Thermostat, SPDT, 55-100F	10-1061-16	10-1061-16	10-1061-16	10-1061-16

www.McleanParts.net

317-257-6811

sales@McLeanParts.net