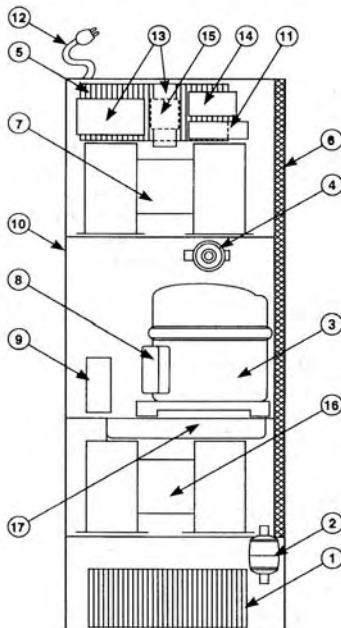


## CR43 Components List

(Table A)

Part Description	CR43-0615-XXX 115 Volt 50/60 HZ 6000 BTU	CR43-0616-XXX 115 Volt 60 HZ 6000 BTU	CR43-0625-XXX 230 Volt 50 HZ 6000 BTU	CR43-0626-XXX 230 Volt 60 HZ 6000 BTU
Blower, Condenser	38-2019-04	38-2019-04	38-2020-04	38-2020-04
Blower, Evaporator	43-2013-01	43-2013-01	43-2013-02	43-2013-02
Capacitor, Compressor	52-6032-01	52-6032-01	52-6031-01	52-6031-01
Compressor	10-1016-10	10-1016-10	10-1025-08	10-1026-08
Thermal Overload, Compressor	10-1007-04	10-1007-04	10-1007-08	10-1007-11
Filter, Air, Reusable	10-1000-44	10-1000-44	10-1000-44	10-1000-44
Thermostat, SPST, 55-100F	52-6155-00	52-6155-00	52-6155-00	52-6155-00
Mounting Gasket Kit	43-2000-09	43-2000-09	43-2000-09	43-2000-09
Relay, Compressor	N/A	N/A	N/A	N/A
Power Cord	52-6035-01	52-6035-01	52-6035-13	52-6035-13
Evaporator Coil	43-2002-00	43-2002-00	43-2002-00	43-2002-00

Part Description	CR43-0815-XXX 115 Volt 50/60 HZ 8500 BTU	CR43-0816-XXX 115 Volt 60 HZ 8500 BTU	CR43-0825-XXX 230 Volt 50 HZ 7500 BTU	CR43-0826-XXX 230 Volt 60 HZ 8500 BTU
Blower, Condenser	52-6034-10	52-6034-10	52-6025-10	52-6025-10
Blower, Evaporator	38-2019-04	38-2019-04	38-2020-04	38-2020-04
Capacitor, Compressor	52-6032-01	52-6032-01	52-6031-01	52-6031-01
Compressor	10-1016-10	10-1016-10	10-1025-10	10-1026-10
Thermal Overload, Compressor	10-1007-04	10-1007-04	10-1007-09	10-1007-12
Filter, Air, Reusable	10-1000-44	10-1000-44	10-1000-44	10-1000-44
Thermostat, SPST, 55-100F	52-6155-00	52-6155-00	52-6155-00	52-6155-00
Mounting Gasket Kit	43-2000-09	43-2000-09	43-2000-09	43-2000-09
Relay, Compressor	N/A	N/A	N/A	N/A
Power Cord	52-6035-33	52-6035-33	52-6035-13	52-6035-32
Evaporator Coil	43-2002-01	43-2002-01	43-2002-01	43-2002-01



<b>Part</b>	<b>Description</b>	<b>Part No.</b>
1	Condenser Coil	43-2001-00
2	Filter, drier. Refrigerant	52-6028-00
3	Compressor	See Table A
4	Hot gas bypass valve	52-6027-00
5	Evaporator Coil	See Table A
6	Inlet air filter, reusable aluminum	10-1000-44
7	Evaporator blower	See Table A
8	Compressor thermal overload switch	See Table A
9	Capacitor, compressor	See Table A
10	Mounting gasket kit	43-2000-09
11	Terminal block	86912
12	Power cord	See Table A
13	Temperature controller Level I                      Level II (digital)	52-6155-00 10-1106-14
14	Relay (Level II only)	10-1005-21
15	Transformer (Level II only) 115v / 230v	10-1006-94    10- 1006-93
16	Condenser Blower	See Table A
17	Condensate Pan	43-2017-00