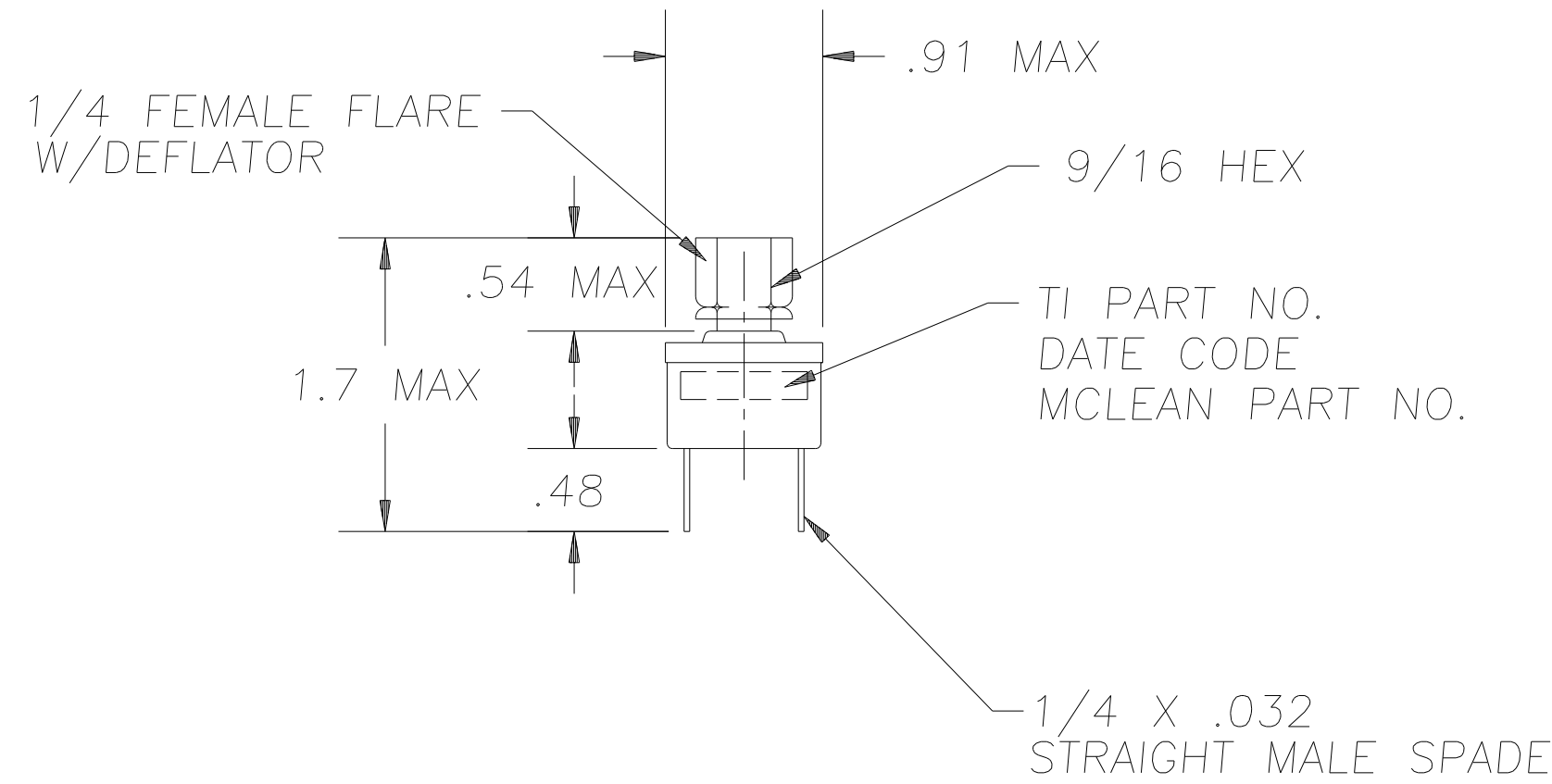


REV	DESCRIPTION	DATE	BY	CHK
1	CHANGE VENDOR NUMBER	EC095585 6-2-04	MKP	BJ
2	ADDED WILSPEC	EC096609 12-14-07	RS	BJ

APPROVED SOURCE	PART NUMBER	
	VENDOR	McLEAN
TEXAS INSTRUMENTS	39PS06-0021	52-6104-35
WILSPEC	HR300-158-0002	52-6104-35



SPECIFICATIONS:

ACTUATION PRESSURE- 240 ±10 PSIG
 DEACTUATION PRESSURE- 170 ±10 PSIG

BURST PRESSURE---- 5000 PSIG
 TEMPERATURE RANGE- AMBIENT: -20°F TO 150°F
 FLUID: -65°F TO 275°F

ELECTRICAL RATING-- 120VAC-5.8 FLA 34.8 LRA
 240VAC-2.9 FLA 15 LRA
 120/277VAC- 375VA PILOT DUTY
 24VAC-125VA PILOT DUTY
 28VDC-2AMP

LIFE AT RATED LOAD- 250K CYCLES
 DIELECTRIC STRENGTH-750 VRMS OPEN SWITCH
 1500 VRMS TERMINALS TO FITTING

UL RECOGNIZED----- FILE SA995, GUIDE SDFY2
 CSA CERTIFIED----- FILE LR24821, GUIDE 361-E-0.2
 VDE----- PENDING

SWITCH CONFIGURATIONS-SPST, AT ATMOSPHERIC PRESSURE: OPEN,
 CLOSES ON RISE.

CADFILE: 52610435

UNLESS OTHERWISE SPECIFIED DIMENSIONS ARE IN INCHES. TOLERANCES: DECIMALS .XXX +/- .005 DECIMALS .XX +/- .005 DECIMALS .X +/- .050 ANGULAR +/- 1 DEGREE	DRAWN BJ	DATE 3/4/96	McLean THERMAL
	CHECKED JC	DATE 3-19-96	
MATERIAL:	APPROVED	DATE	TITLE: LIMIT SWITCH, 240/170
FLAT SHEET:			SIZE A
			DWG. NO. 52-6104-35
			SCALE: NONE
			SHEET: 1 OF 1