

FASCO
 V. 208-230 HX 50/60 PH I ROT ←
 HP 1/2 TEAO CAP 7.5 MFD 370 VAC
 AMP 2.3 INS CL B NO. 7124-2320
 RPM 1625 TYPE U24B1
 SHIELDED BALL BEARING CPN 10-1020-57
 THERMALLY PROTECTED

NAMEPLATE INFORMATION

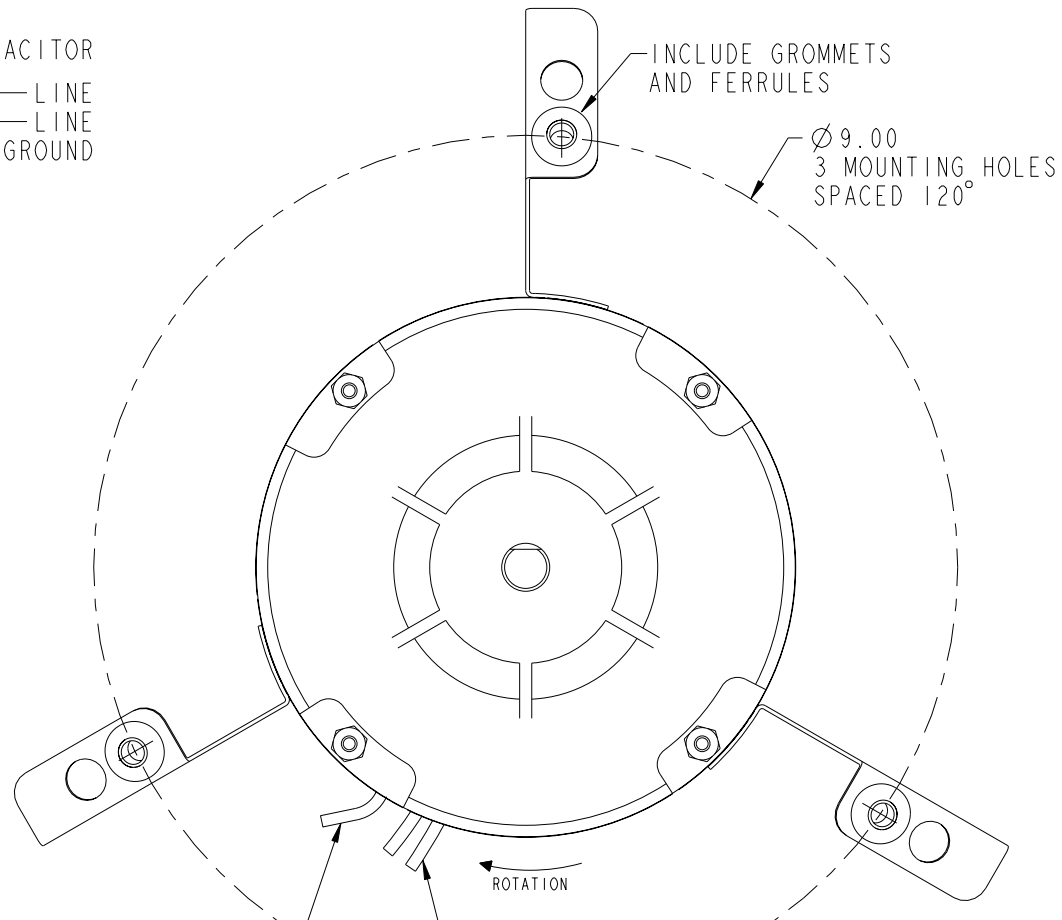
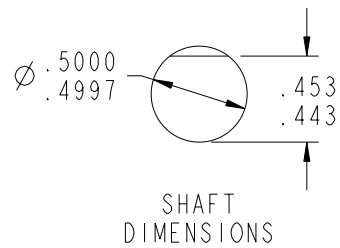
- NOTE:
- VOLTAGE RANGE: 198-253 VAC 50/60 HZ
 - 7.5 MFD, 370 VAC CAPACITOR REQUIRED.
 - TOTALLY ENCLOSED MOTOR.
 - UL RECOGNIZED AND CSA APPROVED.
 - THERMALLY PROTECTED.
 - SEALED BALL BEARINGS.
 - SHAFT IS BONDERIZED AND ROTOR IS RUSTPROOFED.
 - MOTOR OPERATION: -40°C TO 60°C.
 - STORAGE: -40°C TO 70°C.
 - MOTOR TO RUN AS LOW AS 300 RPM WITH HEAD PRESSURE CONTROL.
 - McLEAN PART NUMBER TO BE PRINTED ON NAMEPLATE.

REV	DESCRIPTION	DATE	BY	CHK
0	RELEASED FOR PROTOTYPE	05.07.03	JAT	SDB
1	ADDED GROMMET NOTE	ECO 95448 1-8-04	MKP	SDB
2	1.13 DIM WAS 1.26	ECO 97080 9-15-09	BB	SAN

SAN

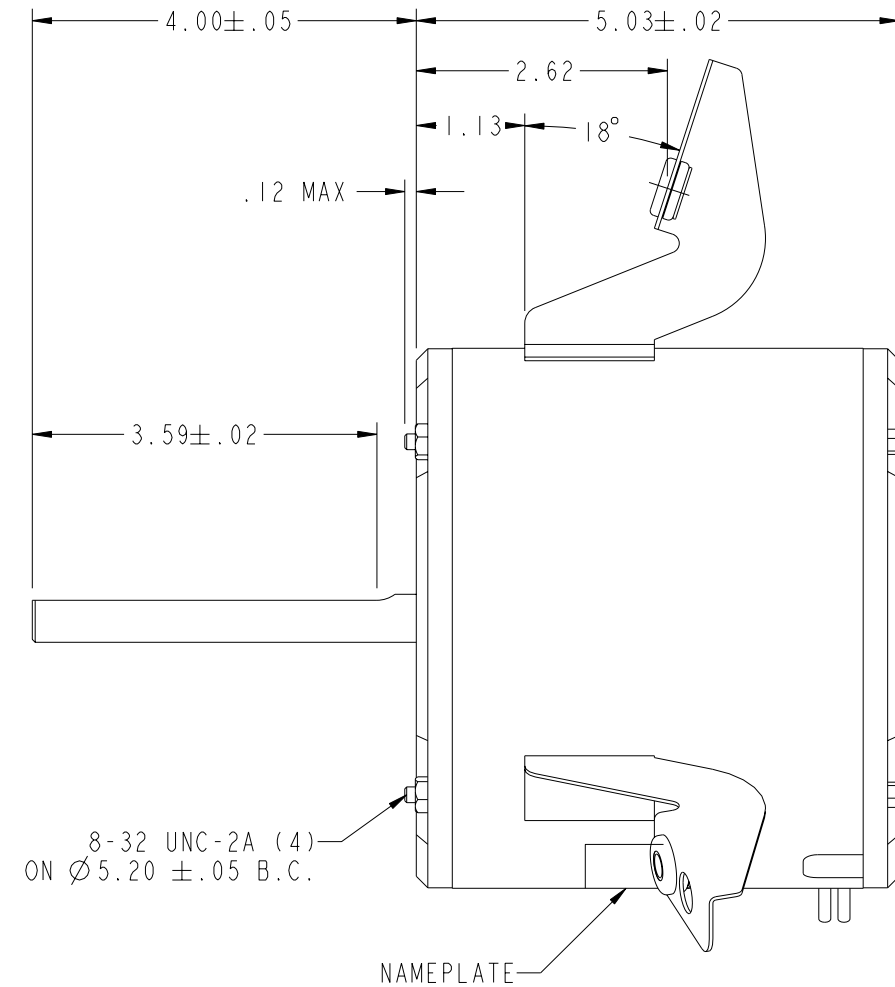
BRN ———— CAPACITOR
 BRN/WHT ————
 WHITE ———— LINE
 BLACK ———— LINE
 GRN/YEL ———— GROUND

CONNECTION DIAGRAM



GROUND LEAD: 18 GA. 2/64" INS. 105°C THERMO. GRN/YEL. 13.0"/12.0" LONG WITH A #10 SERRATED RING TERMINAL.

MOTOR LEADS: 18 GA. 2/64" INS. 125°C EPDM. WHITE AND BLACK LINE LEADS, BROWN AND BRN/WHT CAP. LEADS. ALL 82.0"/80.0" LONG WITH .25" FEMALE Q.C. TERMINALS.



ATTENTION: THIS DRAWING AND THE INFORMATION IT CONTAINS ARE THE EXCLUSIVE PROPERTY OF McLEAN. ANY UNAUTHORIZED USE, DISCLOSURE, OR REPRODUCTION WITHOUT THE EXPRESS WRITTEN CONSENT OF McLEAN IS PROHIBITED.	UNLESS OTHERWISE SPECIFIED DIMENSIONS ARE IN INCHES. TOLERANCES: DECIMALS .XXX ± .005 DECIMALS .XX ± .015 DECIMALS .X ± .03 ANGULAR ± 1 DEGREE	DRAWN JAT CHECKED SDB PROJECT ENG.	DATE 05.06.03 DATE 05.07.03 DATE	
	MATERIAL:	APPROVED	DATE	
	BULK: SPEC:	SCALE: NONE		DWG. NO 10-1020-57
			SIZE: B	