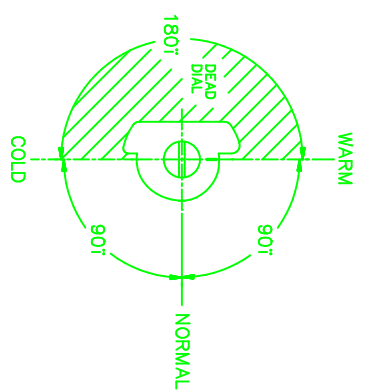
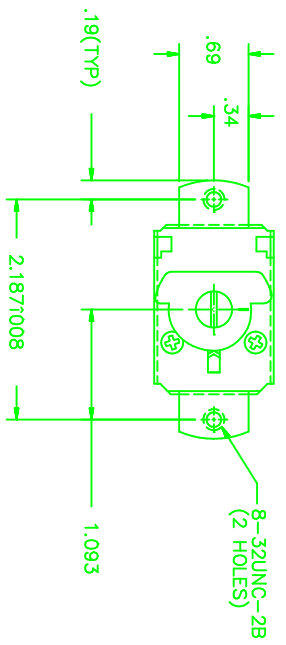
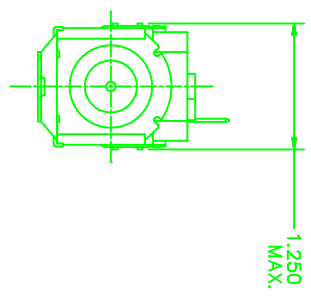
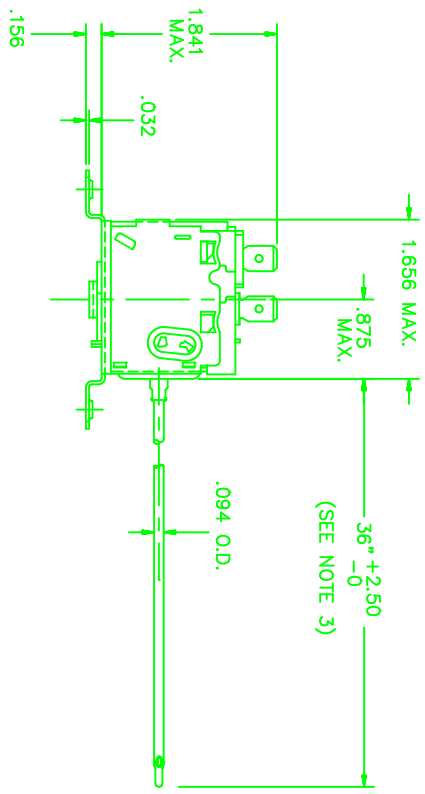


BELLWOS, LIMITED VAPOR FILL: R134a MAX. OPERATING TEMP. 70°F.		SETTINGS: CUSTOMER TOLERANCES (DEGREES IN F°)			RANCO PART NO.
COLD DUT	NORMAL DUT	DIFF.	WARM IN		A30-3701-070
15.5±.4°	25±.2°	15±.3°	47±.4°		



⊕ DIAL LAYOUT OF SHAFT SLOT
⊕ OF SLOT SHOWN IN "NORMAL" POSITION AND ROTATES "CW" TO "COLD" POSITION
⊕ ROTATES "CCW" TO "WARM" POSITION

COMPONENT RATINGS

MAXIMUM RATING MOTOR AMPERES			
VOLTS	FULL LOAD	LOCKED ROTOR	N.L.A.
A.C.			P.D.V.A.
U.L.	25	100	-
	240	100	240
	16	60	16
C.S.A.	240	80	-
	277	60	240

ALTITUDE CORRECTION CHART			
CW TURNS OF RANGE SCREW	FEET TURNS	FEET TURNS	FEET TURNS
2000	25°	8000	135°
4000	70°	9000	160°
6000	100°	10000	170°

- NOTES:
1. TERMINALS TO BE .25 QUICK CONNECT.
 2. CONTROL SHOWN IN "NORMAL" POSITION.
 3. THIS LENGTH OF CAPILLARY TUBE MAY BE COILED FOR SHIPMENT.
 4. THIS DRAWING IS PREPARED IN ACCORDANCE WITH RANCO PROCEDURE P04-1DE-11.
 5. AGENCY: UL FILE# SAS12, CSA FILE# LR32079.

ATTENTION:
THIS DRAWING AND THE INFORMATION IT CONTAINS ARE THE EXCLUSIVE PROPERTY OF MCLEAN MIDWEST. ANY UNAUTHORIZED USE, DISCLOSURE, OR REPRODUCTION WITHOUT THE EXPRESS WRITTEN CONSENT OF MCLEAN MIDWEST IS PROHIBITED.

DESIGN ENGINEER	JWP	DATE	5/13/05
CHECKED	RS	DATE	5/13/05
DESIGNED	MK	DATE	5/13/05
APPROVED		DATE	

TITLE: FREEZE/STAT, A30

SHEET: 1 OF 1 DWG. NO. 10-1061-05

REV	DESCRIPTION	DWG. NO.	DATE	BY	CHK
		A30-3701-070			