

# NARROW Air Conditioners

4000-10000 BTU/HR.  
1172-2930 WATTS



## FEATURES

- **Stock** models are equipped with a thermostat control that offers convenient digital display of enclosure temperature and high temperature alarm (125°F/52°C). Flashing display indicates alarm condition. EMI/RFI noise suppressor and UL/CUL and CE listing are standard on **stock** models.
- New Genesis™ 33NSM and 36N models offer: improved aesthetics with no changes to the major internal components so airflow and performance are the same as the corresponding Slimboy models; unique condensate management system evaporates moisture from enclosure and eliminates drain tubes, buckets and wet floors in typical applications; and EZ Mount flanges simplify installation to a two-step, one-person job.
- Genesis™ units are directly interchangeable with the comparable Slimboy Series, however, the Genesis 33NSM does not come equipped with a backplane like the old Slimboy model.
- Narrow models offer a broad capacity range with the advantage of mounting on narrow enclosures. The 33NSM Series is only 12" wide, and the 36N and 47N Series are only 15" wide.
- High performance, industrial-grade ball bearing fans in the 33NSM, and high performance blowers in the 36N and 47N, provide maximum heat transfer in densely packed enclosures.
- Most components accessible by removing air filter.
- 100% functionally tested.
- Mounting gaskets, drawings and instruction manual furnished.
- All units use a CFC-free or environmentally safe refrigerant that is universally accepted.



UL/CUL listing and CE standard on all Genesis™ 33NSM and 36N models. (UL File SA6453) Please contact the factory. NEMA 12 per UL 50 type 12 approval on all models.

## OTHER UNITS TO CONSIDER

- Genesis™ 33NSM: 33 Water-Cooled, pg. 40  
47N Series: 47 Water-Cooled, pg. 40

## OPTIONS (SEE PGS. 80-81)

	33NSM	36N	47N
Thermostat Package	✓	✓	✓
Thermostat/Malfunction Package	✓	✓	✓
Condensate Evaporator Package	**	**	✓
Special Voltage Package	✓	✓	✓
Outdoor Package*	✓	✓	✓
Corrosive Environment Package*	✓	✓	✓
Stainless Steel Package*	✓	✓	✓
Heater Package	✓	✓	✓

\* Please refer to pgs. 36-39 for our air conditioners that have been engineered and manufactured specifically for demanding applications.

\*\* A condensate management system is standard. See features.

## GENESIS™ 33NSM Series

4000 BTU/Hr. (1172 Watts)

H x W x D: 34.37" (873) x 12" (305) x 9.88" (251)

Model	Voltage	Hz	Full Load Amps	Phase	BTU/Hr @ Max Amb Temp	Max Amb Temp °F/°C	Shipping Weight Lbs/Kgs
M33-0416-G010	STOCK 115	50/60	13.0/13.2	I	3700/4000	125/52	105/48
M33-0416-G0XX	115	50/60	13.0/13.2	I	3700/4000	125/52	105/48
M33-0426-G009	STOCK 230	50/60	7.2/7.3	I	3700/4000	125/52	105/48
M33-0426-G0XX	230	50/60	7.2/7.3	I	3700/4000	125/52	105/48

-XX will be replaced with a two-digit number designating all desired options. Consult the factory for specific model numbers. An "M" in the model number identifies the new Genesis™ Series of air conditioners.

## GENESIS™ 36N Series

6000 BTU/Hr. (1758 Watts)

H x W x D: 38.72" (984) x 15" (381) x 11.33" (288)

Model	Voltage	Hz	Full Load Amps	Phase	BTU/Hr @ Max Amb Temp	Max Amb Temp °F/°C	Shipping Weight Lbs/Kgs
M36-0616-307	STOCK 115	50/60	14.0/14.0	I	5000/6000	125/52	120/54
M36-0616-3XX	115	50/60	14.0/14.0	I	5000/6000	125/52	120/54
M36-0626-306	STOCK 230	50/60	7.0/7.0	I	5000/6000	125/52	120/54
M36-0626-3XX	230	50/60	7.0/7.0	I	5000/6000	125/52	120/54

-XX will be replaced with a two-digit number designating all desired options. Consult the factory for specific model numbers. An "M" in the model number identifies the new Genesis™ Series of air conditioners.

## 47N Series

8000-10000 BTU/Hr. (2344-2930 Watts)

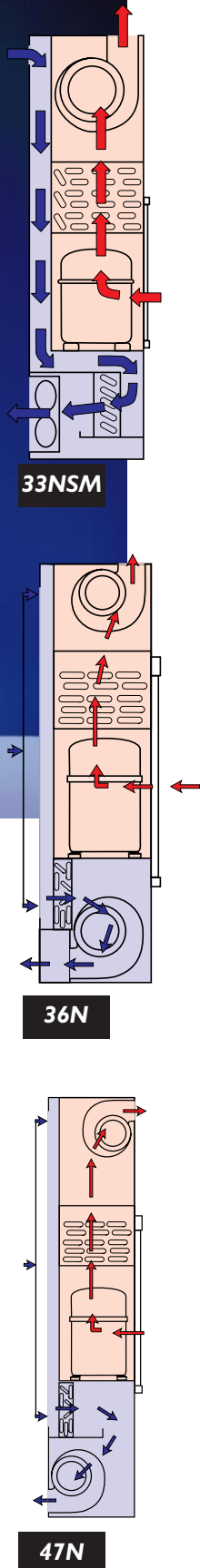
H x W x D: 49.13" (1248) x 15" (381) x 10.50" (267)

Model	Voltage	Hz	Full Load Amps	Phase	BTU/Hr @ Max Amb Temp	Max Amb Temp °F/°C	Shipping Weight Lbs/Kgs
47-0815-3XX	115	50/60	18.0	I	6700/8000	125/52	150/68
47-0816-3XX	115	60	18.0	I	8000	125/52	150/68
47-0825-3XX	230	50	9.0	I	8000	125/52	150/68
47-0826-3XX	230	60	9.0	I	8000	125/52	150/68
47-1015-3XX	115	50/60	18.0	I	8300/10000	125/52	155/70
47-1016-3XX	115	60	18.0	I	10000	125/52	155/70
47-1025-3XX	230	50	10.0	I	10000	125/52	155/70
47-1026-3XX	230	60	9.0	I	10000	125/52	155/70

-XX will be replaced with a two-digit number designating all desired options. Consult the factory for specific model numbers. Most models available with Hz selector switch, if desired. Contact factory. The 50/60 Hz units, because of the addition of an autotransformer, cost more than straight 60 Hz models. Units wired for 50 Hz operation when shipped. A single internal wiring change is required for 60 Hz operation.

### McLEAN MIDWEST CLOSED-LOOP COOLING

Within the air conditioner, the recirculated clean enclosure air is kept separate from the ambient airflow system. This protects the electronic controls and prevents shutdowns caused by heat, humidity, dust and other contaminants.



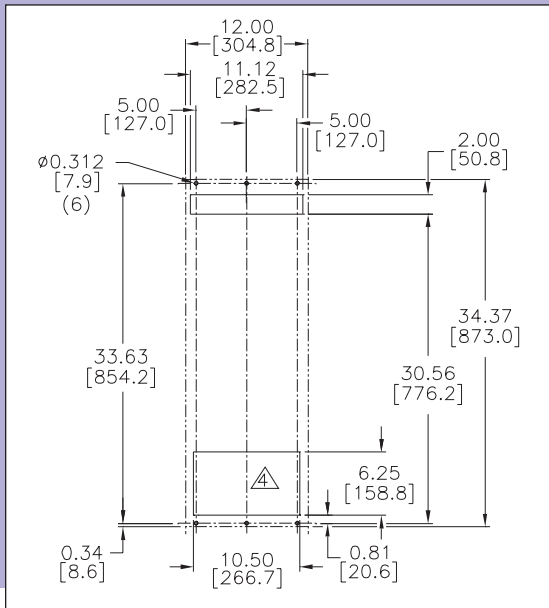
33NSM

36N

47N

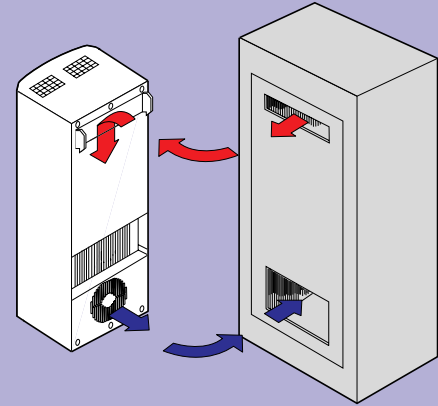
**CUT-OUT NOTES**

1. Cord is routed through the 2" x 11.12" return air opening (top).
2. Dash lines represent air conditioner.
3. Cut-out dimensions for standard product only.
4. Bottom opening will accommodate air conditioner or heat exchanger.
5. Full-size mounting template provided.



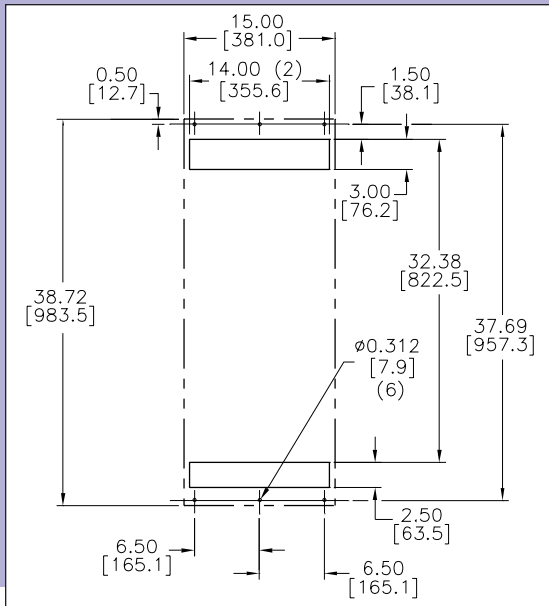
**SIDE MOUNT TO ENCLOSURE**

For NEMA type 12 enclosure, interfacing air-out and air-in openings are required in the enclosure wall.



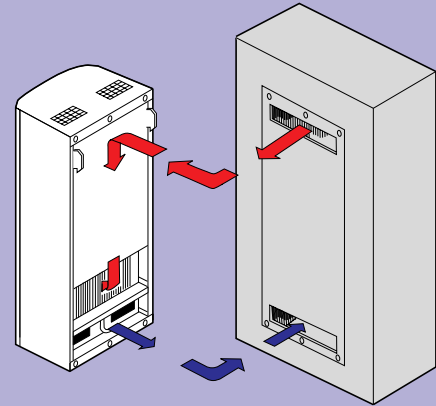
**CUT-OUT NOTES**

1. Service cord is routed through the 3" x 14" return air opening.
2. Dash lines represent air conditioner.
3. Cut-out dimensions for standard product only.
4. Full-size mounting template provided.



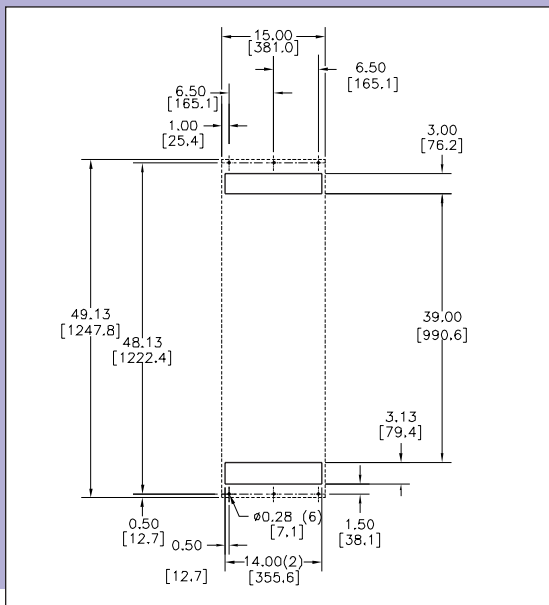
**SIDE MOUNT TO ENCLOSURE**

For NEMA type 12 enclosure, interfacing air-out and air-in openings are required in the enclosure wall.



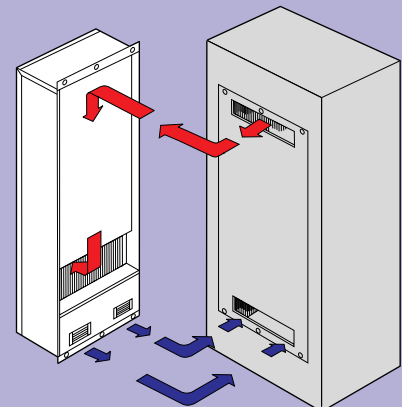
**CUT-OUT NOTES**

1. Dash lines represent air conditioner.
2. Cut-out dimensions for standard product only.



**SIDE MOUNT TO ENCLOSURE**

For NEMA type 12 enclosure, interfacing air-out and air-in openings are required in the enclosure wall.



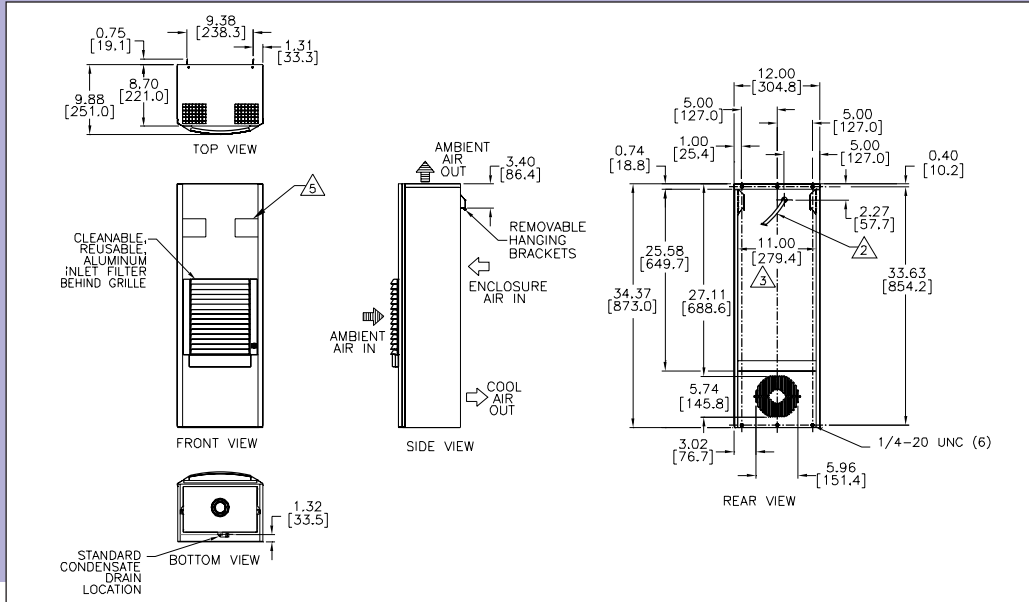
**DESIGN NOTES**

1. Gasket kit for mounting to enclosure included.

2. Service cord.

3. This 25.58" x 11" area is recessed 1.12" from rear surface (referred to as the "plenum").

5. Condenser air discharge out front is optional.



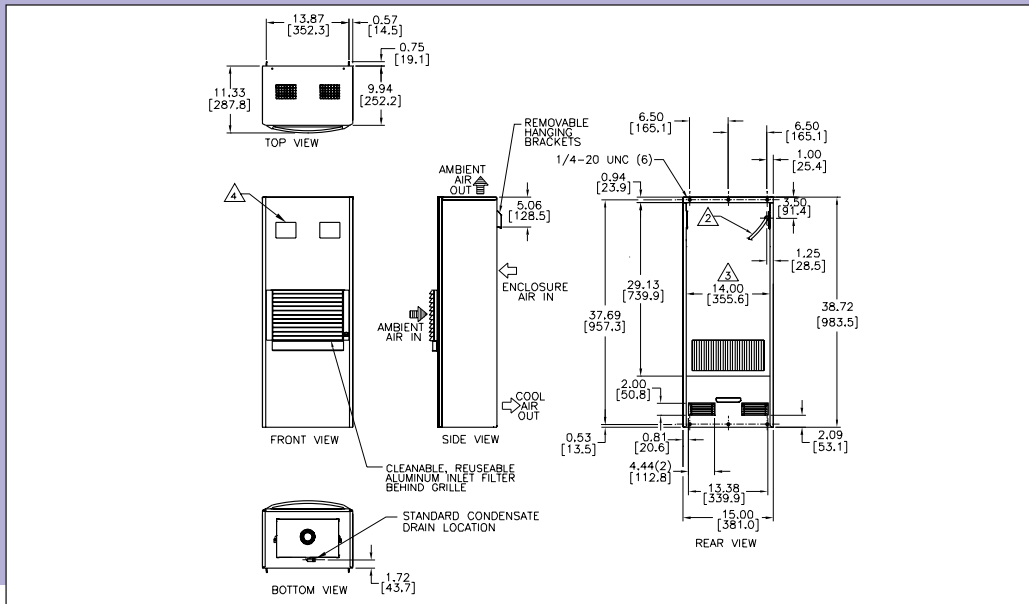
**DESIGN NOTES**

1. Gasket kit for mounting to enclosure included.

2. Service cord.

3. This 14" x 29.13" area is recessed 1.44" from rear surface (referred to as the "plenum").

4. Condenser air discharge out front is optional.



**DESIGN NOTES**

1. Gasket kit for mounting to enclosure included.

2. Service cord terminated with appropriate plug cap.

3. This 36.13" x 14" area is recessed 1.63" from rear surface (referred to as the "plenum").

