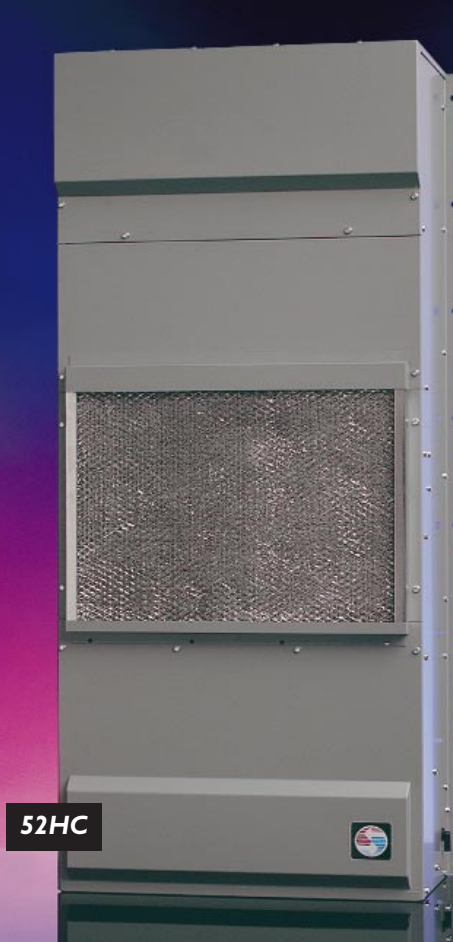


# FULL-SIZE Air Conditioners

6000-20000 BTU/HR.  
1758-5860 WATTS



## FEATURES

- **Stock** models are equipped with a thermostat control that offers convenient digital display of enclosure temperature and high temperature alarm (125°F/52°C). Flashing display indicates alarm condition. EMI/RFI noise suppressor and UL/CUL and CE are standard on **stock** models of 6,000 and 8,000 BTU/Hr. models. On 10,000 and 12,000 BTU/Hr. models of the Genesis 52 Series, the 115 volt stock model is UR/CUR recognized.
- New Genesis™ 52 models offer: improved aesthetics with no changes to the major internal components so airflow and performance are the same as the corresponding Slimboy models; unique condensate management system evaporates moisture from enclosure and eliminates drain tubes, buckets and wet floors in typical applications; and EZ Mount flanges simplify installation to a two-step, one-person job.
- Genesis™ units are directly interchangeable with the comparable Slimboy Series. A field retrofit plate is needed only when mounting the Genesis™ 52 to an old Slimboy model cutout. Plate is free upon request. For Slimboy 52 models with side mounting rails, field retrofit plate part number is 52-plate. For other mounting configurations, contact the factory.
- Full-Size models offer the highest cooling capacities in McLean's extensive air conditioner range.
- McLean's highest performance CFM ball-bearing centrifugal blowers are ideal for densely packed enclosures.
- Most components accessible by removing air filter.
- 100% functionally tested.
- Mounting gaskets, drawings and instruction manual furnished.
- All units use a CFC-free or environmentally safe refrigerant that is universally accepted.

UL CE **NEMA12**

UL/CUL listing and CE standard on most Genesis™ 52 models, except the 115 volt, Genesis 52 series in the 10,000 and 12,000 BTU/Hr. which are UR/CUR recognized. Certain 52HC models available with UL listing. (UL File SA6453) Please contact the factory. NEMA 12 per UL 50 type 12 approval on all models.

## OPTIONS (SEE PGS. 80-81)

	52	52HC
Thermostat Package	✓	✓
Thermostat/Malfunction Package	✓	✓
Condensate Evaporator Package	**	✓
Special Voltage Package	✓	✓
Outdoor Package*	✓	✓
Corrosive Environment Package*	✓	✓
Stainless Steel Package*	✓	✓
Heater Package	✓	✓

\* Please refer to pgs. 36-39 for our air conditioners that have been engineered and manufactured specifically for demanding applications.

\*\* A condensate management system is standard. See features.

**GENESIS™ 52 Series**  
 6000-12000 BTU/Hr. (1758-3516 Watts)      H x W x D: 52.63" (1337) x 17.13" (435) x 11.33" (288)

Model	Voltage	Hz	Full Load Amps	Phase	BTU/Hr @ Max Amb Temp	Max Amb Temp °F/°C	Shipping Weight Lbs/Kgs
M52-0616-0XX	115	50/60	13.0/13.0	I	5000/6000	125/52	155/70
M52-0626-0XX	230	50/60	6.5/6.5	I	5000/6000	125/52	155/70
M52-0816-032	STOCK 115	50/60	14.5/14.5	I	6700/8000	125/52	160/73
M52-0816-0XX	115	50/60	14.5/14.5	I	6700/8000	125/52	160/73
M52-0826-015	STOCK 230	50/60	8.0/8.0	I	6700/8000	125/52	160/73
M52-0826-0XX	230	50/60	8.0/8.0	I	6700/8000	125/52	160/73
M52-1016-038	STOCK 110/115	50/60	18.9/19.5	I	8300/10000	125/52	165/75
M52-1016-0XX	110/115	50/60	18.9/19.5	I	8300/10000	125/52	165/75
M52-1026-021	STOCK 220/230	50/60	9.5/9.8	I	8300/10000	125/52	165/75
M52-1026-0XX	220/230	50/60	9.5/9.8	I	8300/10000	125/52	165/75
M52-1216-017	STOCK 110/115	50/60	24.0/23.0	I	10000/12000*	125/52	175/79
M52-1216-0XX	110/115	50/60	24.0/23.0	I	10000/12000*	125/52	175/79
M52-1226-034	STOCK 220/230	50/60	12.0/11.6	I	10000/12000*	125/52	175/79
M52-1226-0XX	220/230	50/60	12.0/11.6	I	10000/12000*	125/52	175/79

-XX will be replaced with a two-digit number designating all desired options. Consult the factory for specific model numbers.  
 Most models available with Hz selector, if desired. Contact factory.  
 The 50/60 Hz units, because of the addition of an autotransformer, cost more than straight 60 Hz models. Units wired for 50 Hz operation when shipped. A single internal wiring change is required for 60 Hz operation.  
 \* Based on return air temperature slightly above ambient.  
 An "M" in the model number identifies the new Genesis™ Series of air conditioners.

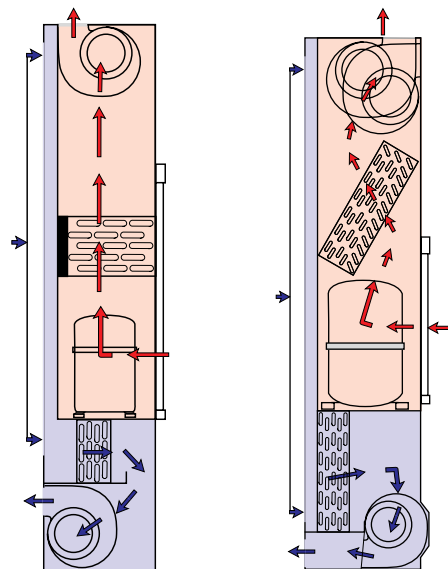
**52HC Series**  
 14000-20000 BTU/Hr. (4100-5860 Watts)      H x W x D: 52.50" (1333) x 23" (584) x 12.88" (327)

Model	Voltage	Hz	Full Load Amps	Phase	BTU/Hr @ Max Amb Temp	Max Amb Temp °F/°C	Shipping Weight Lbs/Kgs
52-1425-0XX	230	50	14.0	I	14000	125/52	220/100
52-1426-0XX	230	60	14.0	I	14000	125/52	220/100
52-1625-0XX	230	50	16.0	I	16000	125/52	225/102
52-1626-0XX	230	60	17.0	I	16000	125/52	225/102
52-1926-0XX	230	50/60	18.8/18.8	I	17500/20000	125/52	235/107

-XX will be replaced with a two-digit number designating all desired options. Consult the factory for specific model numbers.

**McLEAN MIDWEST  
 CLOSED-LOOP COOLING**

Within the air conditioner, the recirculated clean enclosure air is kept separate from the ambient airflow system. This protects the electronic airflow system. This protects the electronic controls and prevents shutdowns caused by heat, humidity, dust and other contaminants.



- Ambient air flow
- Clean air flow

# GENESIS™ 52 Series

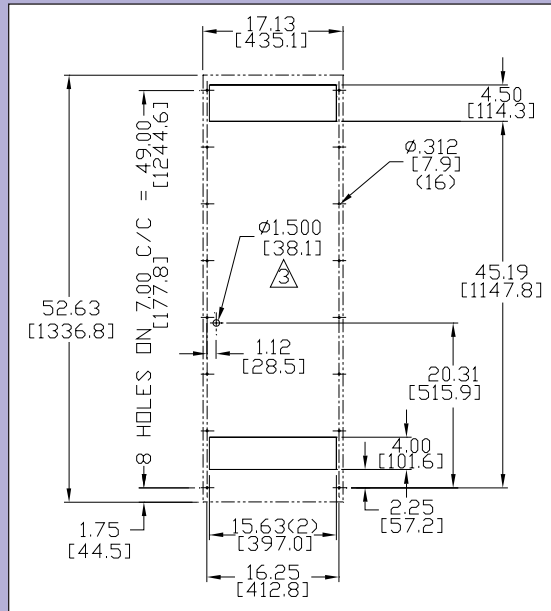
## CUT-OUT NOTES

1. Dash lines represent air conditioner.

2. Cut-out dimensions for standard product only.

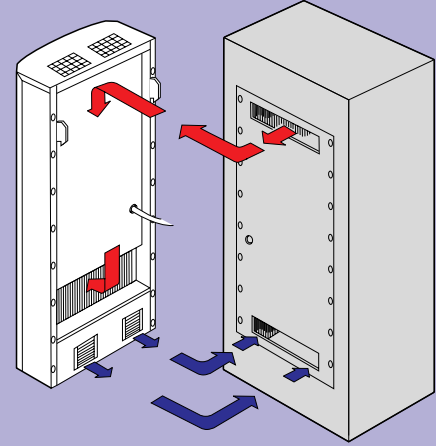
3. This cord hole may be deleted if the service cord is routed through the 4.50" x 15.63" return air opening (except units with electric heat).

4. Full-size mounting template provided.



## SIDE MOUNT TO ENCLOSURE

For NEMA type 12 enclosure, interfacing air-out and air-in openings are required in the enclosure wall.



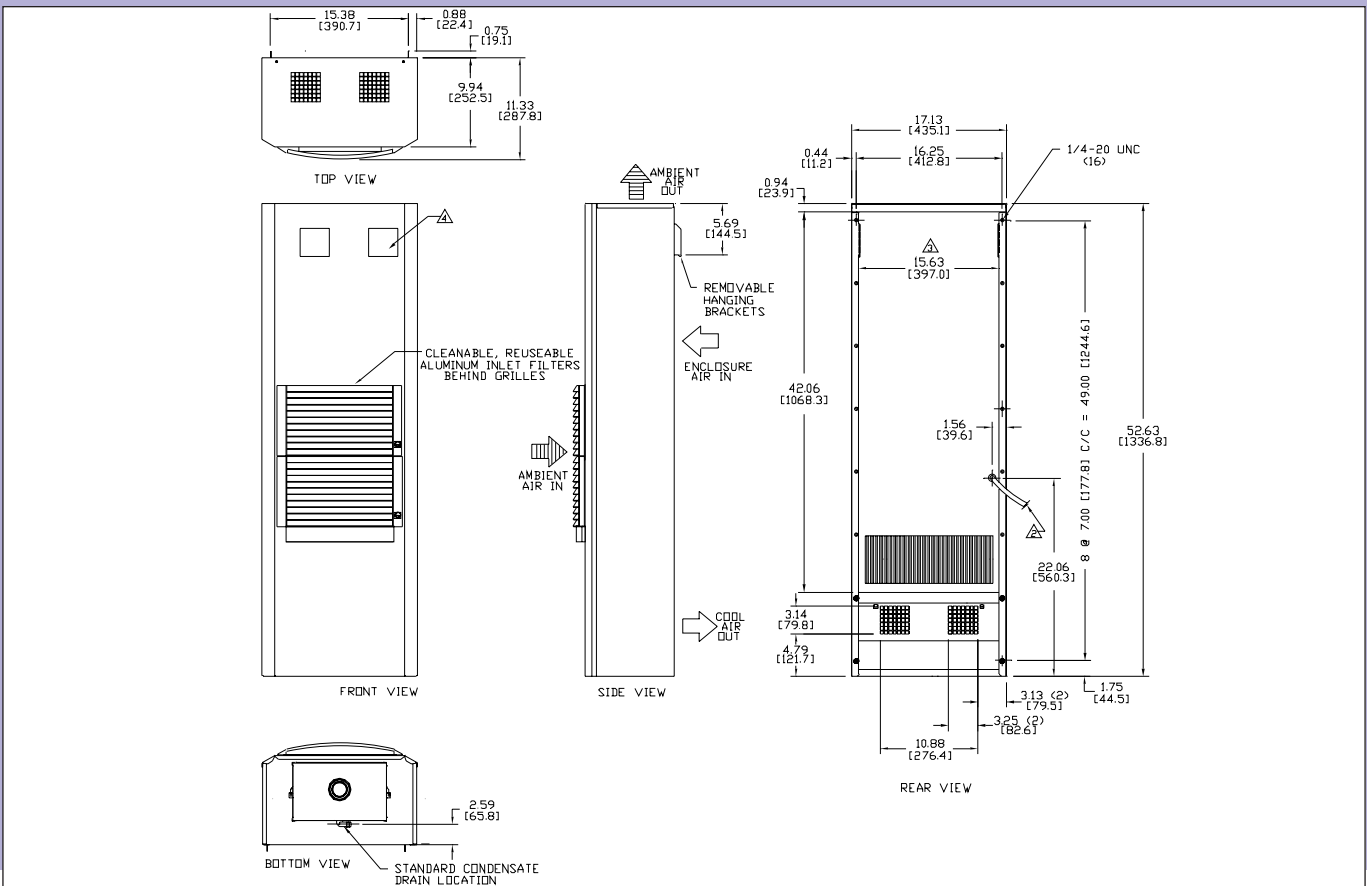
## DESIGN NOTES

1. Gasket kit for mounting to enclosure included.

2. Service cord.

3. This 42.06" x 15.63" area is recessed 1.44" from rear surface (referred to as the "plenum").

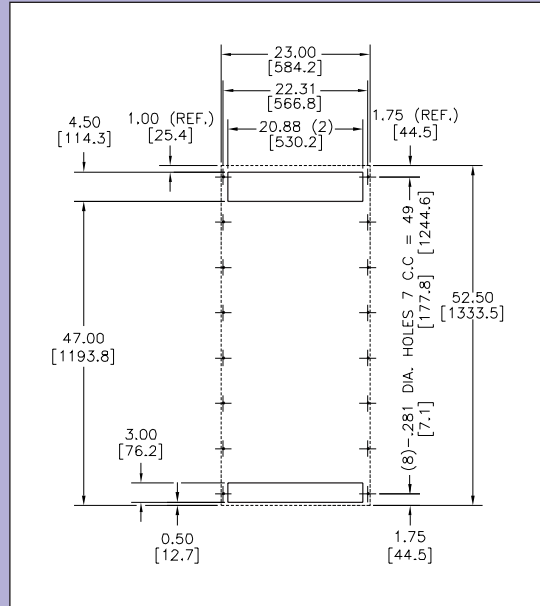
4. Condenser air discharge out front is optional.



# 52HC Series

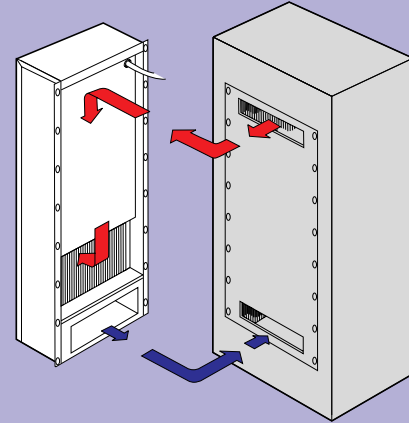
## CUT-OUT NOTES

1. Dash lines represent air conditioner.
2. Cut-out dimensions for standard product only.



## SIDE MOUNT TO ENCLOSURE

For NEMA type 12 enclosure, interfacing air-out and air-in openings are required in the enclosure wall. Refer to mounting dimensions.



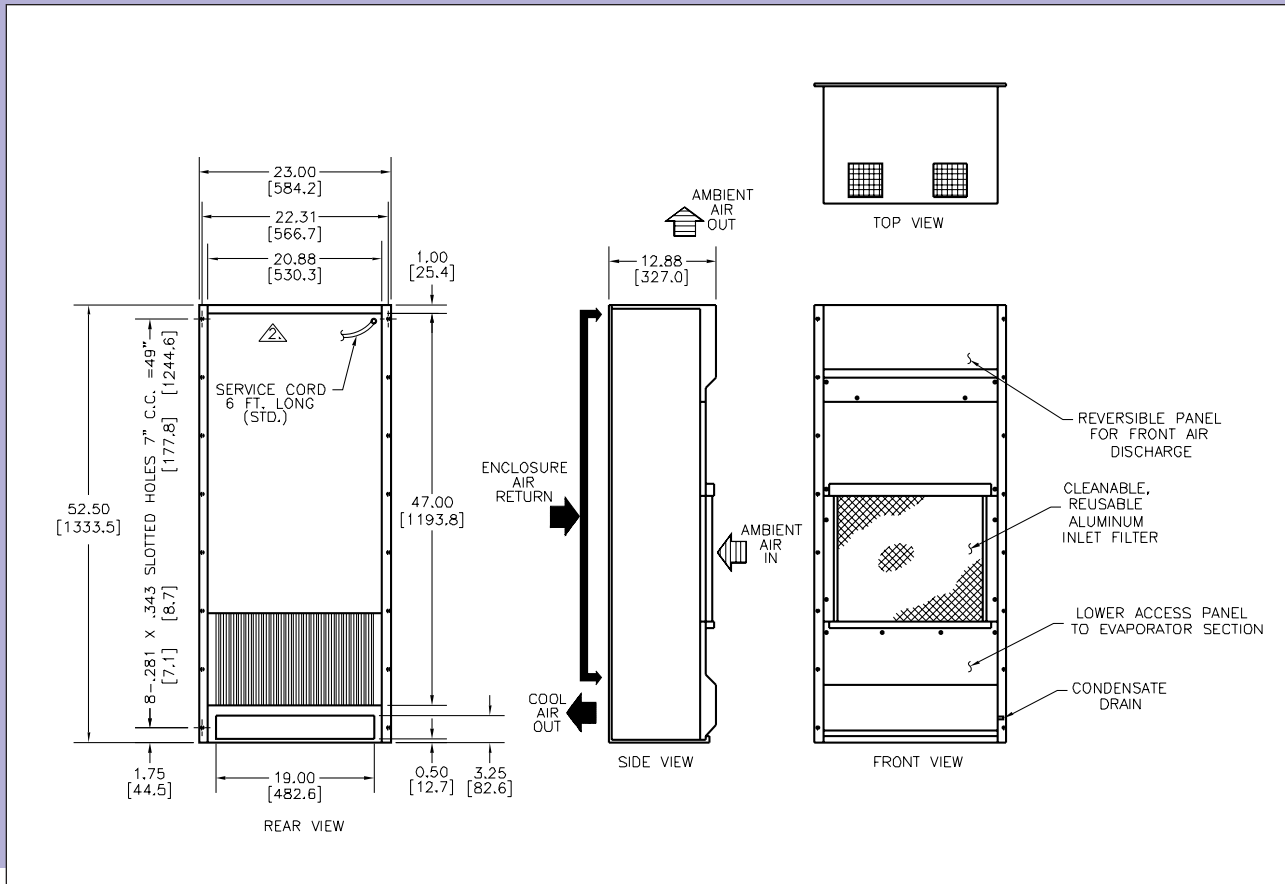
## DESIGN NOTES

1. Gasket kit for mounting to enclosure included.

2. This 47" x 20.88" area is recessed 1.69" from rear surface (referred to as the "plenum").

3. Service cord terminated with appropriate plug cap.

\* Dimensional changes required to accommodate autotransformer on 50/60 Hz units.



FULL-SIZE AIR CONDITIONERS 52, 52HC