

COMPACT Air Conditioners

1000-1800 BTU/HR.
293-527 WATTS



FEATURES

- **Stock** models are equipped with a thermostat control that offers convenient digital display of enclosure temperature and high temperature alarm (125°F/52°C). Flashing display indicates alarm condition. EMI/RFI noise suppressor and UL/CUL and CE are standard on **stock** models.
- New Genesis™ models offer improved aesthetics with no changes to the major internal components so airflow and performance are the same as the corresponding Slimboy models.
- Genesis™ units are directly interchangeable with the comparable Slimboy Series.
- Unique condensate management system evaporates moisture from enclosure and eliminates drain tubes, buckets and wet floors in typical applications.
- Compact models are ideal for cooling smaller enclosures from 25 cu. ft. to 40 cu. ft. The ultra-narrow 17 Series is only 12" wide making it perfect for enclosures with narrow side walls.
- EZ Mount flanges simplify installation to a two-step, one-person job.
- High-performance, industrial-grade ball-bearing fans used to provide maximum heat transfer.
- Most components accessible by removing grille/filter.
- 100% functionally tested.
- Mounting hardware, gaskets, drawings, mounting template and instruction manual furnished.
- All units use a CFC-free or environmentally safe refrigerant that is universally accepted.



UL/CUL listing and CE standard on all models. (UL File SA6453). Please contact the factory. NEMA 12 per UL 50 type 12 approval on all models.

OTHER UNITS TO CONSIDER

Genesis™ 17: CR23, pg. 16; CR23 Stainless Steel, pg. 36

OPTIONS (SEE PGS. 80-81)

	13	17
Thermostat Package	✓	✓
Thermostat/Malfunction Package	✓	✓
Special Voltage Package	✓	✓
Outdoor Package*	✓	✓
Corrosive Environment Package*	✓	✓
Stainless Steel Package*	✓	✓

* Please refer to pgs. 36-39 for our air conditioners that have been engineered and manufactured specifically for demanding applications.

GENESIS™ I3 Series

1000 BTU/Hr. (293 Watts)

H x W x D: 13.25" (337) x 14.25" (362) x 7.80" (198)

Model	Voltage	Hz	Full Load Amps	Phase	BTU/Hr @ Max Amb Temp	Max Amb Temp °F/°C	Shipping Weight Lbs/Kgs
M13-0116-G1014	STOCK 115	50/60	4.0/4.0	I	800/1000	125/52	48/22
M13-0116-G1XXX	115	50/60	4.0/4.0	I	800/1000	125/52	48/22
M13-0126-G1008	STOCK 230	50/60	2.2/2.1	I	800/1000	125/52	48/22
M13-0126-G1XXX	230	50/60	2.2/2.1	I	800/1000	125/52	48/22

-XXX will be replaced with a three-digit number designating all desired options. Consult the factory for specific model numbers. An "M" in the model number identifies the new Genesis™ Series of air conditioners.

GENESIS™ I7 Series

1800 BTU/Hr. (527 Watts)

H x W x D: 17.65" (448) x 12" (305) x 8.68" (220)

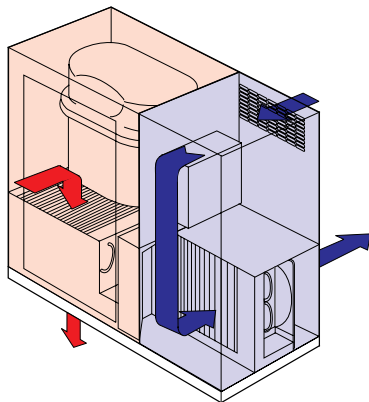
Model	Voltage	Hz	Full Load Amps	Phase	BTU/Hr @ Max Amb Temp	Max Amb Temp °F/°C	Shipping Weight Lbs/Kgs
M17-0216-G009	STOCK 110/115	50/60	6.6/6.7	I	1500/1800	125/52	56/25
M17-0216-G0XX	110/115	50/60	6.6/6.7	I	1500/1800	125/52	56/25
M17-0226-G004	STOCK 220/230	50/60	4.2/3.7	I	1500/1800	125/52	56/25
M17-0226-G0XX	220/230	50/60	4.2/3.7	I	1500/1800	125/52	56/25

-XX will be replaced with a two-digit number designating all desired options. Consult the factory for specific model numbers. An "M" in the model number identifies the new Genesis™ Series of air conditioners.

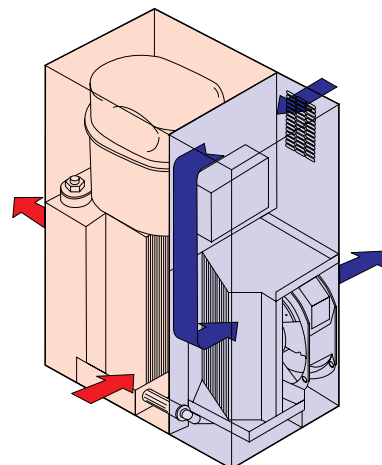
McLEAN MIDWEST CLOSED-LOOP COOLING

Within the air conditioner, the recirculated clean enclosure air is kept separate from the ambient airflow system. This protects the electronic controls and prevents shutdowns caused by heat, humidity, dust and other contaminants.

- Ambient air flow
- Clean air flow



I3

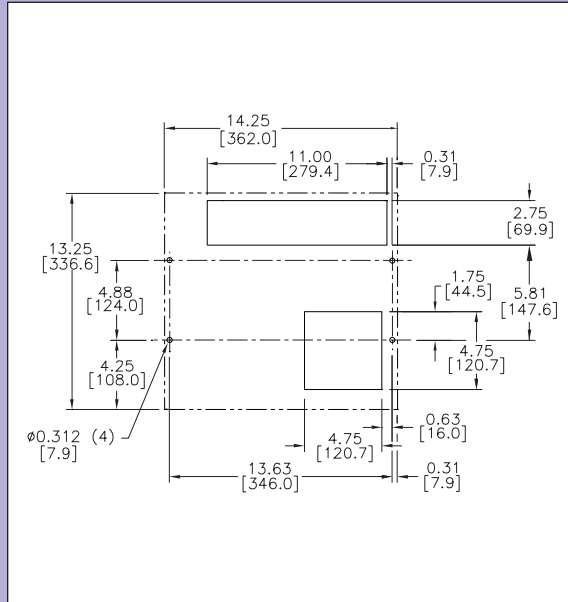


I7

GENESIS™ I3 Series

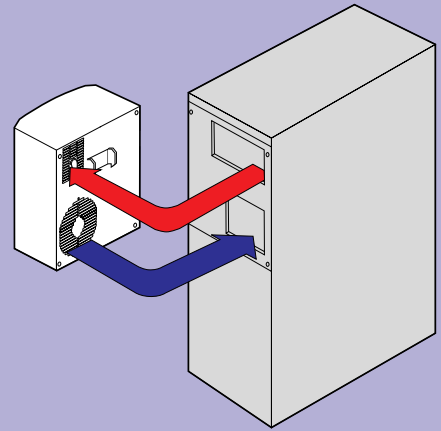
CUT-OUT NOTES

1. Dash lines represent air conditioner.
2. Cut-out dimensions for standard product only.
3. Full-size mounting template provided.



SIDE MOUNT TO ENCLOSURE

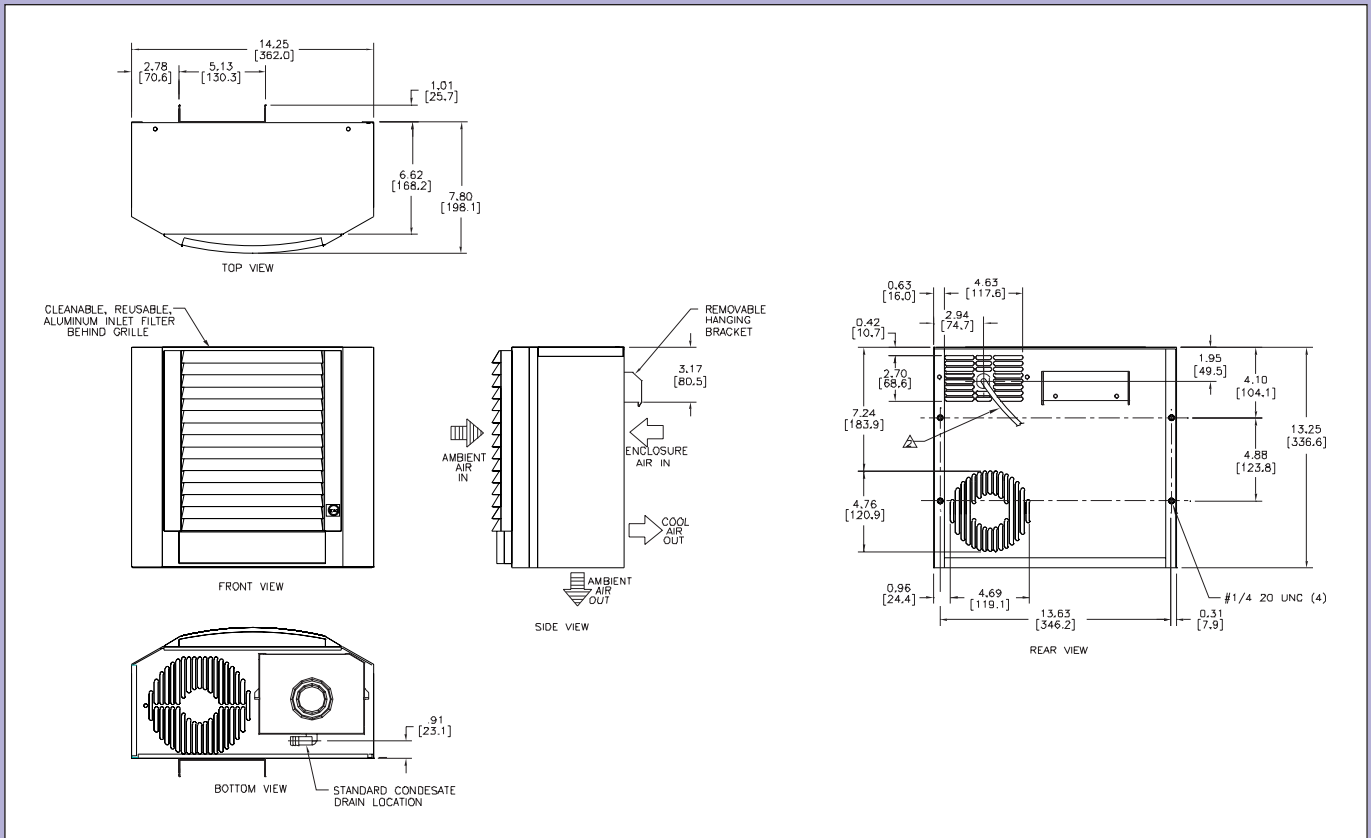
For NEMA type 12 enclosure, interfacing air-out and air-in openings are required in the enclosure wall. Generally, the I3 Series is most effective on enclosures up to 25 cu. ft., unless the application is only for spot cooling in a larger enclosure.



DESIGN NOTES

1. Gasket kit for mounting to enclosure included.

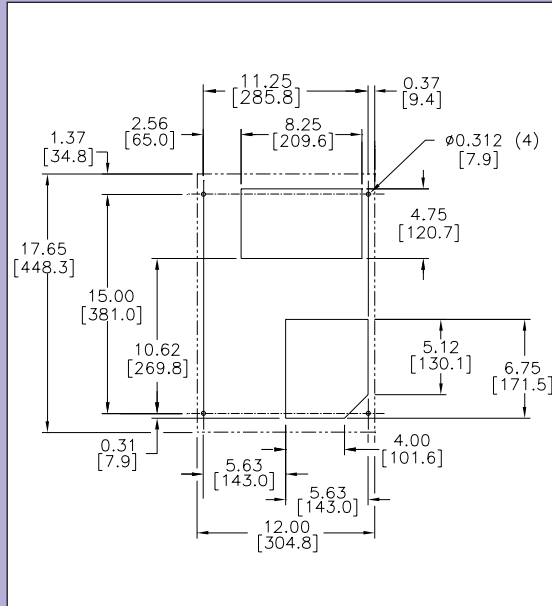
2. Service cord.



GENESIS™ 17 Series

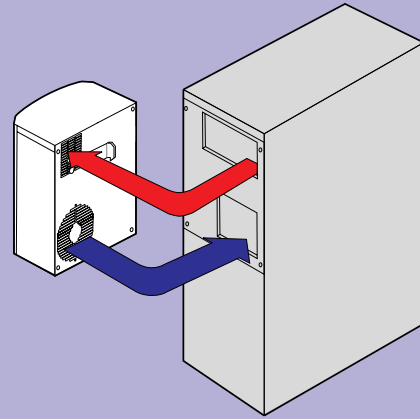
CUT-OUT NOTES

1. Dash lines represent air conditioner.
2. Cut-out dimensions for standard product only.
3. Full-size mounting template provided.



SIDE MOUNT TO ENCLOSURE

For NEMA type 12 enclosure, interfacing air-out and air-in openings are required in the enclosure wall. Generally, the 17 Series is most effective on enclosures up to 40 cu. ft., unless the application is only for spot cooling in a larger enclosure.



DESIGN NOTES

1. Gasket kit for mounting to enclosure included.

2. Service cord.

3. Condensate from enclosure drains to bottom pan of unit where it is evaporated by condenser heat.

