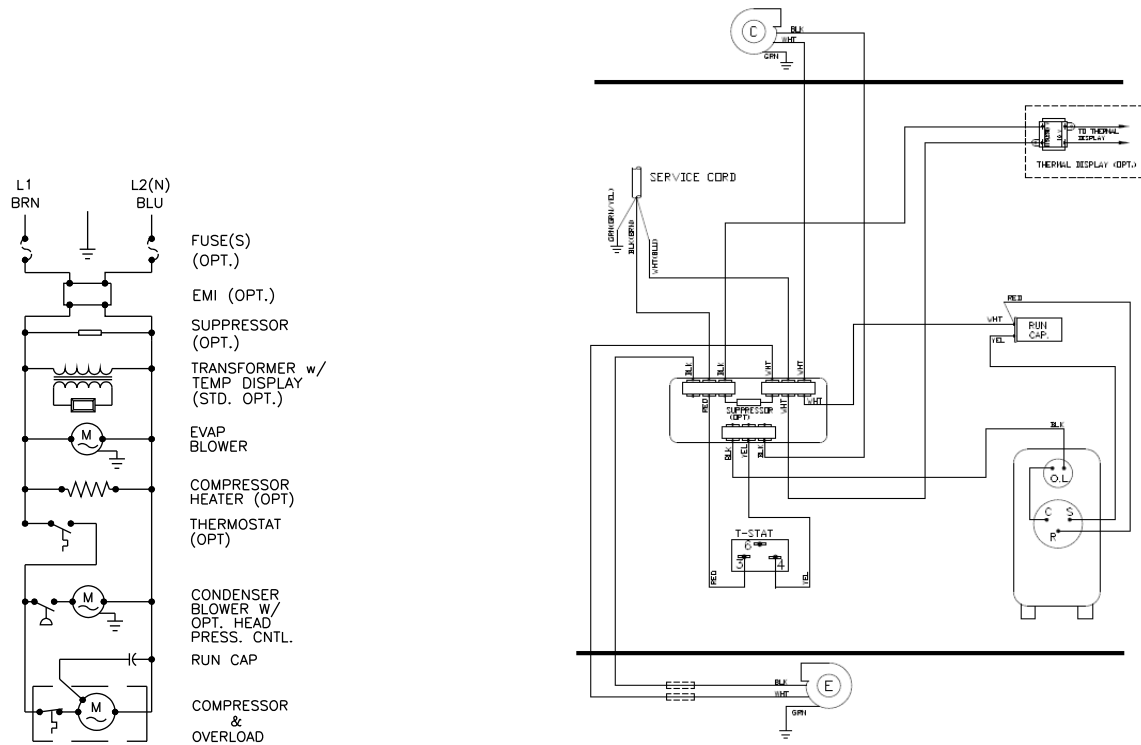
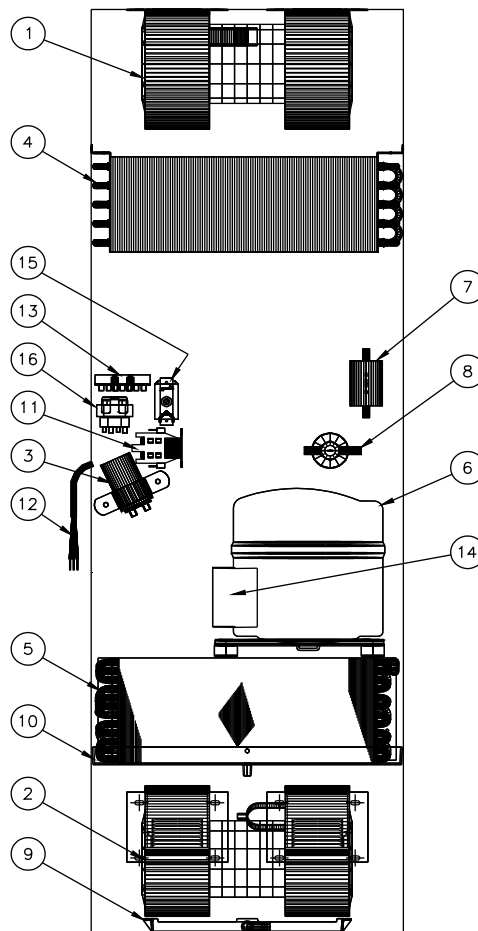


M52 Wire Diagram, 115/230 Volt, 6000 & 8000 BTU and 230 Volt, 10000 & 12000 BTU



M52 Components Drawing (Front View)



M52 Series Components List

Part Description	Item No.	Part Number (115 Volt)			
		6000 BTU	8000 BTU	10000 BTU	12000 BTU
Blower, Condenser	1	52-6034-10	52-6034-10	52-6034-10	52-6034-10
Blower, Evaporator	2	52-6075-00	52-6075-00	52-6075-00	52-6034-10
Capacitor, Compressor, Run	3	52-6031-01	52-6032-01	52-6032-01	52-6032-01
Coil, Condenser	4	52-6111-00	52-6111-00	52-6111-00	52-6111-03
Coil, Evaporator	5	28-1001-01	52-6002-02	52-6121-01	52-6121-01
Compressor, AK	6	10-1016-08	10-1016-10	10-1016-12	10-1016-12
Control Panel Assy, Wide	N/S	10-1106-101	10-1106-101	10-1106-101	10-1106-101
Filter, Air, Reusable, Wide	N/S	10-1000-56	10-1000-56	10-1000-56	10-1000-56
Filter/Dryer	7	52-6028-00	52-6028-00	52-6028-00	52-6028-00
Grille, Front, Wide	N/S	10-1130-00	10-1130-00	10-1130-00	10-1130-00
Hot Gas By-Pass Valve	8	52-6027-00	52-6027-00	52-6027-00	52-6027-00
Pan, Condensate	9	10-1130-17	10-1130-17	10-1130-17	10-1130-17
Pan, Evaporator	10	10-1130-23	10-1130-23	10-1130-23	10-1130-23
Contactora, Compressor, Start	11	N/A	N/A	10-1005-41	10-1005-41
Contactora Cover, Compressor	11	N/A	N/A	10-1005-68	10-1005-68
Service Cord	12	52-6035-142	52-6035-142	52-6035-125	52-6035-125
Terminal Block	13	10-1003-31	10-1003-31	10-1003-31	10-1003-31
Thermal Overload, Compressor	14	10-1007-03	10-1007-04	10-1007-05	10-1007-05
Thermostat, SPST, 55-100F	15	10-1061-16	10-1061-16	10-1061-16	10-1061-16
Transformer, 10VAC Secondary	16	10-1006-114	10-1006-114	10-1006-114	10-1006-114

Part Description	Item No.	Part Number (230 Volt)			
		6000 BTU	8000 BTU	10000 BTU	12000 BTU
Blower, Condenser	1	52-6025-10	52-6025-10	52-6025-10	52-6025-10
Blower, Evaporator	2	52-6076-00	52-6076-00	52-6076-00	52-6025-10
Capacitor, Compressor, Run	3	52-6031-01	52-6031-01	52-6031-01	52-6031-01
Coil, Condenser	4	52-6111-00	52-6111-00	52-6111-00	52-6111-03
Coil, Evaporator	5	28-1001-01	52-6002-02	52-6121-01	52-6121-01
Compressor, AK	6	10-1026-08	10-1026-10	10-1026-12	10-1026-12
Control Panel Assy, Wide	N/S	10-1106-101	10-1106-101	10-1106-101	10-1106-101
Filter, Air, Reusable, Wide	N/S	10-1000-56	10-1000-56	10-1000-56	10-1000-56
Filter/Dryer	7	52-6028-00	52-6028-00	52-6028-00	52-6028-00
Grille, Front, Wide	N/S	10-1130-00	10-1130-00	10-1130-00	10-1130-00
Hot Gas By-Pass Valve	8	52-6027-00	52-6027-00	52-6027-00	52-6027-00
Pan, Condensate	9	10-1130-17	10-1130-17	10-1130-17	10-1130-17
Pan, Evaporator	10	10-1130-23	10-1130-23	10-1130-23	10-1130-23
Relay, Compressor	11	N/A	N/A	N/A	N/A
Service Cord	12	52-6035-139	52-6035-139	52-6035-139	52-6035-141
Terminal Block	13	10-1003-31	10-1003-31	10-1003-31	10-1003-31
Thermal Overload, Compressor	14	10-1007-11	10-1007-12	10-1007-13	10-1007-13
Thermostat, SPST, 55-100F	15	10-1061-16	10-1061-16	10-1061-16	10-1061-16
Transformer, 10VAC Secondary	16	10-1006-115	10-1006-115	10-1006-115	10-1006-115